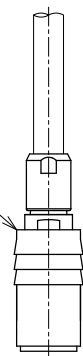
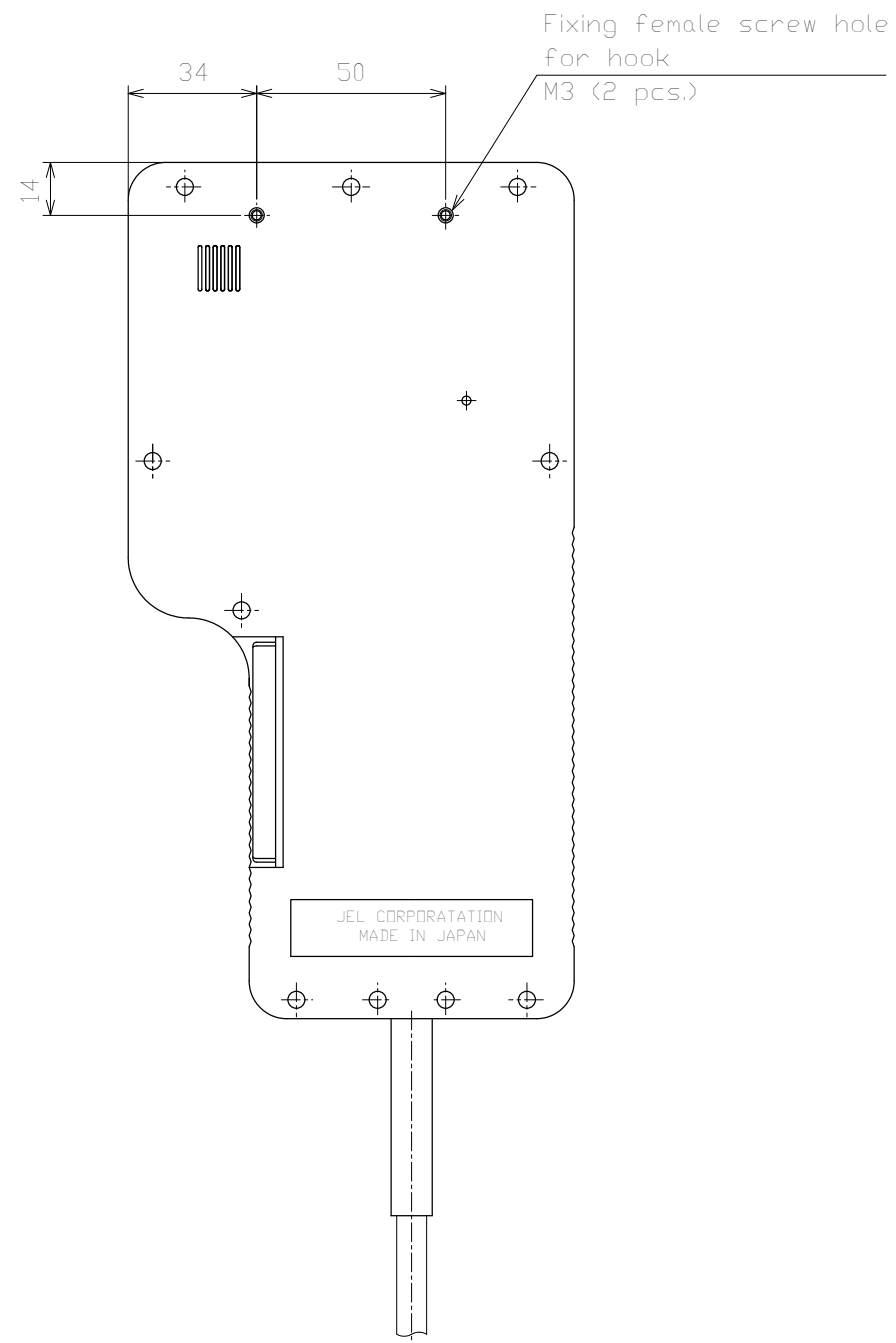
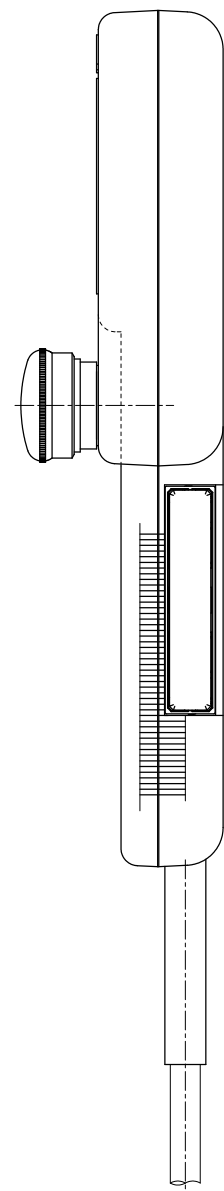
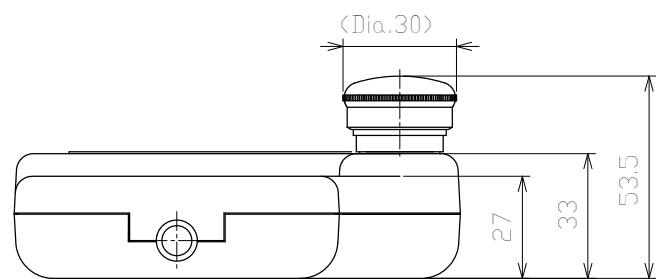


HR10-7P-6P
(HIROSE ELECTRIC CO., LTD.)



Connector specification



Reference drawing

- × This drawing may be revised without any advance notification.
- × When designing the equipment layout based on this drawing, please confirm with JEL in advance.

MODEL 型式	JCT1		
ISSUED NO. 管理番号	WJ0232E	SCALE 尺度	1/2